

兴化市华宇电子有限公司

XINGHUA HUAYU ELECTRONICS CO.,LTD.

地址：兴化市陈堡镇工业区


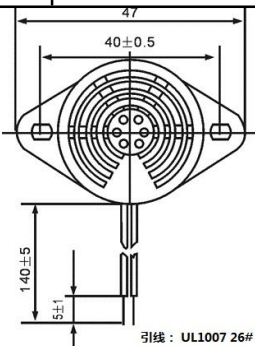
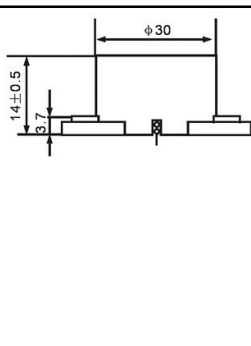
Add: Industrial Park, Chenbao Town, Xinghua City, Jiangsu Province

TEL: 0523-83723110 FAX: 0523-83723118

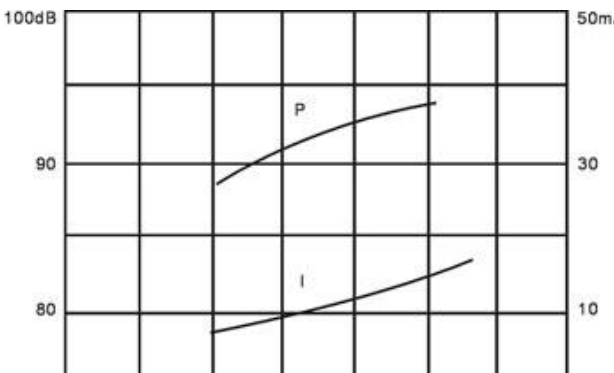
Http:www.js-huayu.com E-mail:China_hydz@163.com

Customer 客户名称:	Number 编号: HYDZ120525-041
----------------	---------------------------

Item 品名: 蜂鸣器	Part No 型号: HYT-3015B(间断声)
--------------	----------------------------

		
引线: ULL1007 26#		

ELECTRICAL CHARACTERISTICS 参数	RESPONSE FREQUENCY 频率
--------------------------------------	------------------------------

<table border="1" style="width: 100%; border-collapse: collapse;"> <tr><td>Rated Voltage</td><td>12VDC</td></tr> <tr><td>Operating Voltage</td><td>3~24V</td></tr> <tr><td>Rated Current(Max)</td><td>20</td></tr> <tr><td>Min Sound Output at 30cm</td><td>88</td></tr> <tr><td>Resonant Frequency</td><td>3100±500</td></tr> <tr><td>Operating Temperature</td><td>-20~+80</td></tr> <tr><td>Weight</td><td>12g</td></tr> </table>	Rated Voltage	12VDC	Operating Voltage	3~24V	Rated Current(Max)	20	Min Sound Output at 30cm	88	Resonant Frequency	3100±500	Operating Temperature	-20~+80	Weight	12g	
Rated Voltage	12VDC														
Operating Voltage	3~24V														
Rated Current(Max)	20														
Min Sound Output at 30cm	88														
Resonant Frequency	3100±500														
Operating Temperature	-20~+80														
Weight	12g														

TEST INSTRUMENT 测试仪器	
----------------------	--

示波器	DASG3186	
频率计	2B-14	

声级计	CAL-7749	OTHERS 其它
-----	----------	-----------

电声测试仪	JH6160	
-------	--------	--

Materials 材料			
--------------	--	--	--

OUTSIDE SHELL 外壳	ABS 材料	CIRCUIT 电路	
------------------	--------	------------	--

WIRE 线材		CORE 磁材	磁环
---------	--	---------	----

SHEET 蜂鸣片	CEREMIC PIEZO ELEMENT	COATING EPOXY 胶	AB 胶
-----------	-----------------------	-----------------	------

NO	Revision 更改记录\Date 日期\Check 审查	Approved 核准	checked By 审查	Drawn By 制作
1				
2				Shi Jianqiang
3		Remark 备注		